

Series 2290 High Voltage Power Supplies

DATA SHEET



Series 2290 High Voltage Power Supplies facilitate high voltage device and material testing, as well as high energy physics experimentation. The 2290-5 5kV Power Supply provides voltage outputs up to 5000 V, and the 2290-10 10 kV Power Supply offers up to 10,000 V. The 2290-5 has a 5 mA current capacity and the 2290-10 has a 1 mA current capacity. These supplies measure both output voltage with 1V resolution and output current with 1 μ A resolution. In addition to the voltage and current output displays, a third display shows one of four settings: output voltage, voltage limit, current limit, or current trip. These values can be set precisely with the front panel keypad. The settings can also be programmed over the IEEE-4888 interface, or the output voltage can be set with an analog control voltage.

Low Noise Ensures Accurate Low Level Measurements

Low output noise is essential when using sensitive measurement instruments to make leakage current or high resistivity measurements. The maximum output ripple for the 2290-10 is less than 1 V_{RMS} . The maximum output ripple of the 2290-5 is 100 mV_{RMS} . Two selectable, internal filters on the 2290-5 reduce the maximum output ripple to only 3 mV_{RMS} . Extremely low noise from both power supplies enables sensitive measurement instruments to make accurate current measurements down to picoamp levels.

Key Features

- Source voltages up to 5 kV and 10 kV
- 1 μ A current measurement resolution
- Low noise for precision sourcing and sensitive measurements; selectable filters reduce noise to less than 3 mV_{RMS} on the 5 kV supply
- Safety interlock controls high voltage output
- IEEE-488 programmable
- Protection module prevents damage to low voltage instrumentation

Protecting User and Instrumentation

Series 2290 Power Supplies and a 2290-PM-200 SMU Protection Module protect both user and instrumentation from hazardous voltages. An interlock circuit built into the power supplies can be used to ensure that the output voltage is disabled if a high voltage test fixture access



The 2290-PM-200 Protection Module protects low voltage measurement equipment from voltages greater than 200V.

TYPICAL APPLICATIONS

- High voltage device breakdown testing
- High voltage component testing
- Insulation testing
- High voltage resistivity measurements
- High energy physics research

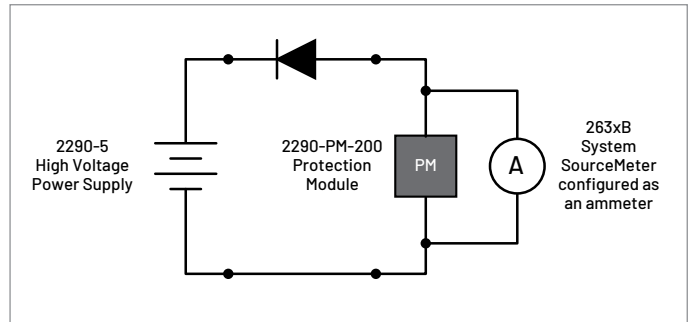
door is open. In addition, all Series 2290 power supplies have low voltage analog outputs to permit safe monitoring of the high voltage and the output current.

When low voltage measurement instrumentation is used in the high voltage circuit, the protection module safely clamps the voltage across the instrument to a maximum value of 200V even when a device under test (DUT) breaks down. Thus, a Series 2290 Power Supply, 2290-PM-200 Protection Module, and Keithley accessories provide all the elements for building a safe, high voltage test environment.

Make Precise Current Measurements Lower Than 1 μ A

Use a sensitive Keithley measurement instrument, such as a Keithley SourceMeter[®] SMU instrument, to measure current drawn by the device under test (DUT) that is below the sensitivity of the Series 2290 Power Supplies. Keithley SourceMeter SMU instruments can provide sensitivity as low as 0.1fA. The following diagram shows how the 2290-PM-200

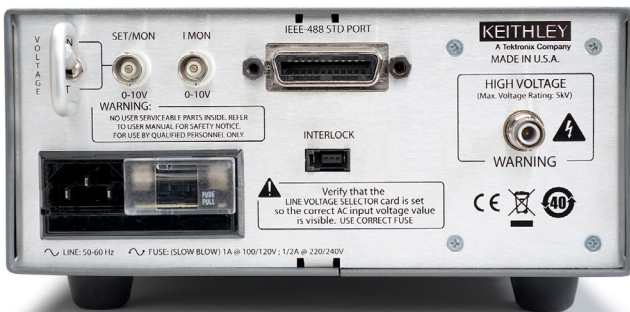
Protection Module protects the low voltage SourceMeter SMU instrument from high voltages when the DUT breaks down. The leakage current of the Protection Module limits the measurement resolution to picoamp levels, which is five decades more sensitive than the current measurement resolution of the Series 2290 Power Supplies. Keithley can provide a complete high voltage test capability with the most current measurement sensitivity available anywhere.



Reverse breakdown testing of a high voltage diode using a Keithley SourceMeter SMU instrument to measure leakage current. The 2290-PM-200 SMU Protection Module protects the SourceMeter SMU instrument from high voltage when the diode breaks down.

Easily Automate a High Voltage Test System

The Series 2290's IEEE-488 interface allows the creation of an automated high voltage test system. Software drivers are supplied to simplify and accelerate test system development. This further enhances safety as the high voltage can be controlled from a remote location.



2290-5 rear panel showing the IEEE-488 interface connector, high voltage output connector, analog control/output connectors, and interlock connector.



2290-10 rear panel showing the IEEE-488 interface connector, RS-232 interface connector, high voltage output connector, analog control/output connectors, and interlock connector.

2290-5 Specifications

5 kV Voltage Power Supply Characteristics

Conditions

This document contains specifications and supplemental information for the 2290-5 High Voltage Power Supply. Specifications are the standards against which the 2290-5 is tested. Upon leaving the factory, the 2290-5 meets these specifications. Characteristics, supplemental characteristics, and typical values are not warranted, apply at 23 °C ±5 °C, <70% relative humidity, and are provided solely as useful information.

DC Accuracy Specifications

Voltage Set Accuracy²	±(0.01% of setting + 2.5 V).
Voltage Display Accuracy	Voltage set accuracy ±1 V, typical (±2 V, maximum).
Current Set Accuracy⁵	±(0.01% of setting + 2.5 µA).
Current Display Accuracy	±1 µA, typical (±2 µA, maximum).

Characteristics

Voltage Range	<table border="1"> <thead> <tr> <th>Output Voltage¹</th> <th>Maximum Output Current</th> <th>Conditions</th> </tr> </thead> <tbody> <tr> <td>50 to +5000 V DC</td> <td>5.000 mA DC</td> <td>No filter</td> </tr> <tr> <td>50 to +3000 V DC</td> <td>5.000 mA DC</td> <td>Filter 1</td> </tr> <tr> <td>50 to +5000 V DC</td> <td>3.000 mA DC</td> <td>Filter 2</td> </tr> </tbody> </table>			Output Voltage ¹	Maximum Output Current	Conditions	50 to +5000 V DC	5.000 mA DC	No filter	50 to +3000 V DC	5.000 mA DC	Filter 1	50 to +5000 V DC	3.000 mA DC	Filter 2	
Output Voltage ¹	Maximum Output Current	Conditions														
50 to +5000 V DC	5.000 mA DC	No filter														
50 to +3000 V DC	5.000 mA DC	Filter 1														
50 to +5000 V DC	3.000 mA DC	Filter 2														
Voltage Resolution	1 V (set and display).															
Voltage Limit Range	0 to 100% full scale.															
Voltage Regulation³	Line: 0.001% for ±10% line voltage change. Load: 0.005% for 100% load change, typical.															
Output Ripple (10 kHz–100 kHz)⁴	0.002% of full scale, VRMS, maximum – No filter. 1.0 mVRMS @ 1 kV – Filter 1 or Filter 2. 2.0 mVRMS @ 3 kV – Filter 1 or Filter 2. 3.0 mVRMS @ 5 kV – Filter 2.															
Rise Time (full load)^{6,7}	1.5 seconds for 0 to within 1 V of 5000 VDC – No filter. 3 seconds for 0 to within 1 V of 3000 VDC – Filter 1. 4 seconds for 0 to within 1 V of 5000 VDC – Filter 2															
Discharge Time (full load)^{6,7}	1 second for 5000 VDC to 1VDC – No filter. 3 seconds for 3000 VDC to 1VDC – Filter 1. 4 seconds for 5000 VDC to 1VDC – Filter 2															
Discharge Time (no load)⁶	<12 seconds (to <50 VDC) – No filter. <30 seconds (to <50 VDC) – Filter 1 or Filter 2.															
Settling Time^{6,7}	From 0 to programmed voltage; to within 99.9% of final value within 3 seconds.															
Recovery Time^{6,7}	120 ms for 40% step change in load current (typical).															
Current Limit and Trip Range	<table border="1"> <thead> <tr> <th>Current Limit and Trip Range</th> <th>Voltage Range</th> <th>Filter</th> </tr> </thead> <tbody> <tr> <td>0.4 mA to 5.25 mA</td> <td rowspan="2">0 V to 1.5 kV</td> <td>No filter or Filter 1</td> </tr> <tr> <td>0.4 mA to 3.25 mA</td> <td>Filter 2</td> </tr> <tr> <td>0.5 mA to 5.25 mA</td> <td rowspan="2">1.5 kV to 5.0 kV</td> <td>No filter or Filter 1</td> </tr> <tr> <td>0.4 mA to 3.25 mA</td> <td>Filter 2</td> </tr> </tbody> </table>			Current Limit and Trip Range	Voltage Range	Filter	0.4 mA to 5.25 mA	0 V to 1.5 kV	No filter or Filter 1	0.4 mA to 3.25 mA	Filter 2	0.5 mA to 5.25 mA	1.5 kV to 5.0 kV	No filter or Filter 1	0.4 mA to 3.25 mA	Filter 2
Current Limit and Trip Range	Voltage Range	Filter														
0.4 mA to 5.25 mA	0 V to 1.5 kV	No filter or Filter 1														
0.4 mA to 3.25 mA		Filter 2														
0.5 mA to 5.25 mA	1.5 kV to 5.0 kV	No filter or Filter 1														
0.4 mA to 3.25 mA		Filter 2														
Current Resolution	1 µA.															

Stability	±0.01% per hour; <0.03% per eight hours.
Temperature Drift	50 ppm/°C, 0° to 40 °C, typical.
Protection	Arc and short circuit protected; programmable voltage and current limits and current trip.

Monitor Outputs

Output Scale	0 to +10 V to full scale.
Current Rating	10 mA maximum.
Output Impedance	<1 Ω.
Accuracy	±0.2% of full scale with a 100 kΩ load, minimum.
Update Rate	8 Hz.

External Voltage Set

Input Scale	0 to +10 V for 0 to full scale.
Input Impedance	1 MΩ.
Accuracy	±0.2% of full scale.
Update Rate	16 Hz.
Output Slew Rate	<(rise time + 0.3 seconds) for 0 to full range under full load.

General

Input power	55 watts.
2290-5 Input Voltage	120 V ±10%, 50 or 60 Hz.
2290E-5 Input Voltage	240 V ±10%, 50 or 60 Hz.
2290J-5 Input Voltage	100 V ±10%, 50 or 60 Hz.
Rear Panel Connectors	SHV male (Kings type 1704-1 or equivalent). Output high-voltage connector GPIB connector. BNC Connector (two): Voltage set/Voltage monitor; Current monitor.
Toggle Switch	Voltage setting or Voltage monitor.
High-voltage Safety Interlock	Connector: 3-pin press-in connector, 3M part number 37103-A165-00E-MB. Pin 1: 5V out, 1.5 mA maximum out. Pin 2: Input: High-voltage output enabled: 3–24 VDC. High-voltage output disabled: <1.2 VDC. Pin 3: Chassis ground through a 100 Ω resistor.
Interface Protocol	IEEE-488.1.
Operating Environment	0° to 40 °C; non-condensing.
Dimensions	89 mm high × 206 mm wide × 406 mm deep (3.5 in. × 8.1 in. × 16 in.).
Weight	5.5 kg (12 pounds).
Safety	Conformance to European Union low voltage directive.
Warranty	One year.
Warm-up Time	One hour.

Notes

1. The output voltage can be programmed to a voltage lower than 50 V; however, performance below 50 V is not specified.
2. Add ±2.5 VDC when Filter 1 or Filter 2 is enabled.
3. Regulation specifications apply for greater than 25 VDC (with full load), or 50 VDC (with no load). Below these values, the unit may not regulate correctly.
4. Peak-to-peak values are within five times the RMS value.
5. Add 2.5 μA offset when Filter 1 or Filter 2 is enabled.
6. Times apply with the current limit set to 105% of full scale.
7. Loads are fully resistive.

2290-10 Specifications

10 kV Voltage Power Supply Characteristics

Conditions

This document contains specifications and supplemental information for the 2290-10 High Voltage Power Supply. Specifications are the standards against which the 2290-10 is tested. Upon leaving the factory, the 2290-10 meets these specifications. Characteristics, supplemental characteristics, and typical values are not warranted, apply at 23 °C ±5 °C, <70% relative humidity, and are provided solely as useful information.

DC Accuracy Specifications

Voltage Set Accuracy	±0.06% of full scale.
Voltage Display Accuracy	Voltage set accuracy ±1 V, typical (±2 V, maximum).
Current Set Accuracy	0.5% of full scale.
Current Display Accuracy	±1 µA, typical (±2 µA, maximum).

Characteristics

Voltage Range	Output Voltage¹	Maximum Output Current
	+100 to +10,000 V DC	1.000 mA DC
Voltage Resolution	1 V (set and display).	
Voltage Limit Range	0 to 100% full scale.	
Voltage Regulation²	Line: 0.001% for ±10% line voltage change. Load: 0.04% for 100% load change, typical.	
Output Ripple (300 Hz–300 kHz)	0.01% of full scale, V_{RMS} .	
Rise Time (from high voltage turn on to final value under full load)^{3,4}	<6 seconds to within 1 V of the final value.	
Discharge Time (to 0V under full load)^{3,4}	1 second to under 10 V.	
Discharge Time (no load)³	<6 seconds (to <1% of full scale voltage with no load, typical).	
Settling Time^{3,4}	<4 seconds to within 1 V of the final value.	
Recovery Time^{3,4}	120 ms for 40% step change in load current (typical).	
Current Limit Range	0 to 105% of full scale.	
Current Resolution	1 µA.	
Trip Current Range	10 µA to 105% of full scale (excluding stored output charge).	
Output Stored Charge	<20 µC maximum.	
Trip Response Time	<10 ms.	
Stability	±0.01% per hour; <0.03% per eight hours.	
Temperature Drift	50 ppm/°C, 0° to 40 °C, typical.	
Protection	Arc and short circuit protected; programmable voltage and current limits and current trip.	

Monitor Outputs

Output Scale	0 to +10 V for 0 V to full scale.
Current Rating	10 mA maximum.
Output Impedance	100 Ω .
Accuracy	$\pm 0.2\%$ of full scale with a 1 M Ω load, minimum.
Update Rate	87.5 Hz.

External Voltage Set

Input Scale	0 to +10 V for 0 to full scale.
Input Impedance	1 M Ω .
Accuracy	$\pm 0.2\%$ of full scale.
Update Rate	87.5 Hz.
Output Slew Rate (5% to 95% under full load)	<3 seconds

General

Input Power	75 watts.
Input Voltage	90 V–264 VAC, 47 to 63 Hz.
Rear Panel Connectors	Output High-voltage Connector: SHV female (Kings type 1764-1 or equivalent). BNC Connector (three): Input, voltage monitor; current monitor. GPIB connector, 23-pin. RS-232, 9-pin D-sub.
High-voltage Safety Interlock	Connector: 3-pin press-in connector, 3M part number 37103-A165-00E-MB. Pin 1: 5 V out, 70 mA maximum out. Pin 2: Input: High-voltage output enabled: 5 VDC. High-voltage output disabled: 0 VDC or open connection. Pin 3: Chassis ground.
Interface Protocol	IEEE-488.1.
Operating Environment	0 $^{\circ}$ to 40 $^{\circ}$ C; non-condensing.
Dimensions	89 mm high \times 206 mm wide \times 406 mm deep (3.5 in \times 8.1 in \times 16 in).
Weight	3.7 kg (8 pounds).
Safety	Conformance to European Union low voltage directive.
Warranty	One year.
Warm-up Time	One hour.

Notes

1. The output voltage can be programmed to voltages below 100 V, but accuracy below 100 V is not specified.
2. Regulation specifications apply for greater than 100 V.
3. Times apply with the current limit set to 105% of full scale.
4. Loads are fully resistive.

2290-PM-200 Specifications

SMU Protection Module Characteristics

CONDITIONS

This document contains specifications and supplemental information for the 2290-PM-200 Protection Module. Specifications are the standards against which the 2290-PM-200 is tested. Upon leaving the factory, the 2290-PM-200 meets these specifications. Characteristics, supplemental characteristics, and typical values are not warranted, apply at 23 °C ±5 °C, <70 percent relative humidity, and are provided solely as useful information.

Characteristics

Leakage	<10 pA at 200 V typical.
DC current Carrying Capability	<1.5 A in unclamped condition.
Pulsed Current Carrying Capability	10 A maximum at 1% duty cycle in unclamped condition.
Maximum Protection Active Current	Current must be limited to <120 mA in clamped condition (~230 V).
Protection voltage	220 VDC minimum, 230 VDC typical, 240 VDC maximum.
Dimensions	81.28 mm long × 81.53 mm wide × 54.10 mm high (3.20 in. long × 3.21 in. wide × 2.13 in. high) Maximum length with high-voltage connectors: 5.34 in (135.64mm).
Weight	0.25 kg (0.55 lb.).

General

Warranty	1 year.
Safety	Listed to UL 61010-1:2012 (3rd edition). Conforms to European Union Low Voltage Directive.
Connectors	
High Voltage	5 kV connector: male SHV, 0.38 inches (9.35 mm) diameter, Kings 1704-1. 10 kV connector: female SHV, 0.535 inches (13.59 mm) diameter, Kings 1764-1.
Low Voltage	Triax, female, quantity of 2.
Safety	Screw ground terminal, quantity of 2.

Ordering Information

2290-5	5 kV Power Supply, 120 VAC Nominal Input Voltage
2290E-5	5 kV Power Supply, 240 VAC Nominal Input Voltage
2990J-5	5 kV Power Supply, 100 VAC Nominal Input Voltage
2290-10	10 kV Power Supply

Supplied Accessories

	CD with user manual, software drivers, and accessory information
	Power cord

Available Accessories

For 2290-5

2290-5-SHV	5 kV SHV Female–SHV Female Cable, 3 m (10 ft)
2290-5-MHV	5 kV SHV Female–MHV Male Cable, 3 m (10 ft)
2290-5-SHVBH	5kV SHV Male Bulkhead Connector

For 2290-10

2290-10-SHVUC	10kV SHV Male to Unterminated Cable, 3m (10ft)
2290-10-SHV	10kV SHV Male–SHV Male Cable, 3m (10 ft)
2290-10-SHVBH	10kV SHV Female Bulkhead Connector

For Both

2290-PM-200	10 kV Protection Module
2290-INT-CABLE	3-Pin Connector to Unterminated Interlock Cable
4299-7	Fixed Shelf Rack Mount Kit
KPCI-488LPA	IEEE-488.2 Interface Board for the PCI Bus
KUSB-488B	IEEE-488.2 USB-GPIB Interface Adapter for USB port with built-in 2 m (6.6 ft) cable
7007-05	Double Shielded Premium IEEE-488 Interface Cable, 0.5 m (1.6 ft)
7007-1	Double Shielded Premium IEEE-488 Interface Cable, 1 m (3.2 ft)
7007-2	Double Shielded Premium IEEE-488 Interface Cable, 2 m (6.5 ft)
7007-3	Double Shielded Premium IEEE-488 Interface Cable, 3 m (10 ft)
7007-4	Double Shielded Premium IEEE-488 Interface Cable, 4 m (13 ft)

Available Services

Model Number*-EW	1 Year Factory Warranty extended one additional year from date of shipment
Model Number-3Y-EW	1 Year Factory Warranty extended to 3 years from date of shipment
Model Number-5Y-EW	1 Year Factory Warranty extended to 5 years from date of shipment
C/Model Number-3Y-STD	KeithleyCare 3 Year Standard Calibration Plan
C/Model Number-3Y-DATA	KeithleyCare 3 Year Calibration with Data Plan
C/Model Number-5Y-STD	KeithleyCare 5 Year Standard Calibration Plan
C/Model Number-5Y-DATA	KeithleyCare 5 Year Calibration with Data Plan

*Insert number. Examples: 2290-5-EW, 2290E-10-3Y-STD

Contact Information:

Australia 1 800 709 465
Austria* 00800 2255 4835
Balkans, Israel, South Africa and other ISE Countries +41 52 675 3777
Belgium* 00800 2255 4835
Brazil +55(11) 3530-8901
Canada 1 800 833 9200
Central East Europe / Baltics +41 52 675 3777
Central Europe / Greece +41 52 675 3777
Denmark +45 80 88 1401
Finland +41 52 675 3777
France* 00800 2255 4835
Germany* 00800 2255 4835
Hong Kong 400 820 5835
India 000 800 650 1835
Indonesia 007 803 601 5249
Italy 00800 2255 4835
Japan 81(3) 6714 3086
Luxembourg +41 52 675 3777
Malaysia 1 800 22 55835
Mexico, Central/South America and Caribbean 52 (55) 88 69 35 25
Middle East, Asia, and North Africa +41 52 675 3777
The Netherlands* 00800 2255 4835
New Zealand 0800 800 238
Norway 800 16098
People's Republic of China 400 820 5835
Philippines 1 800 1601 0077
Poland +41 52 675 3777
Portugal 80 08 12370
Republic of Korea +82 2 565 1455
Russia / CIS +7(495) 6647564
Singapore 800 6011 473
South Africa +41 52 675 3777
Spain* 00800 2255 4835
Sweden* 00800 2255 4835
Switzerland* 00800 2255 4835
Taiwan 886 (2) 2656 6688
Thailand 1 800 011 931
United Kingdom / Ireland* 00800 2255 4835
USA 1 800 833 9200
Vietnam 12060128

* European toll-free number. If not
accessible, call: +41 52 675 3777

Rev. 02.2022



Find more valuable resources at TEK.COM

Copyright © Tektronix. All rights reserved. Tektronix products are covered by U.S. and foreign patents, issued and pending. Information in this publication supersedes that in all previously published material. Specification and price change privileges reserved. TEKTRONIX and TEK are registered trademarks of Tektronix, Inc. All other trade names referenced are the service marks, trademarks or registered trademarks of their respective companies.

050924 SBG 1KW-61672-0

